

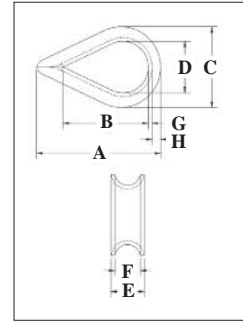


WIRE ROPE END FITTINGS

G-411



- Hot-dip galvanized steel.
- The standard choice for light duty loading conditions and applications.
- Meets the performance requirements of EN13411-1:2002.
- Meets the performance requirements of Federal Specification FF-T-276b Type II, except for those provisions required of the contractor.



Standard Wire Rope Thimbles

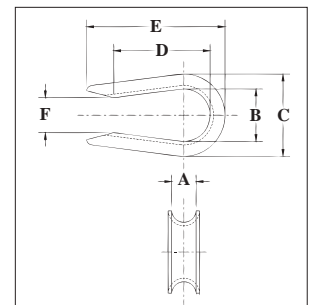
Rope Diameter		Stock No	Weight Per 100 (kg)	Dimensions (mm)							
(in)	(mm)			A	B	C	D	E	F	G	H
1/8	3-4	1037256	1.59	49.3	33.3	26.9	17.5	6.35	4.05	1.25	3.30
3/16	5	1037274	1.59	49.3	33.3	26.9	17.5	7.85	5.60	1.25	3.30
1/4	6-7	1037292	1.59	49.3	33.3	26.9	17.5	9.65	7.10	1.25	3.30
5/16	8	1037318	1.81	54.0	38.1	31.8	20.6	11.2	8.65	1.25	3.30
3/8	9-10	1037336	3.04	60.5	41.4	37.3	23.9	13.5	10.4	1.50	4.06
1/2	11-13	1037354	5.67	70.0	47.8	44.5	28.7	17.5	13.5	2.05	4.83
5/8	16	1037372	15.7	89.0	57.0	60.5	35.1	23.1	16.8	3.30	8.64
3/4	18-20	1037390	21.4	95.5	63.5	68.5	41.4	27.4	19.8	3.55	8.64
7/8	22	1037416	38.4	127	89.0	81.0	47.8	32.3	23.9	4.05	11.2
1	24-26	1037434	44.2	145	108	95.5	63.5	35.3	26.9	4.05	10.4
1-1/8 - 1-1/4	28-32	1037452	79	159	114	109	70.0	44.5	33.3	5.60	12.7



G-408



- Hot-dip galvanized steel.
- Meets the performance requirements of EN13411-1:2002.
- Recommended for light duty applications where assembly into another fitting (i.e., shackle or master link) is required.



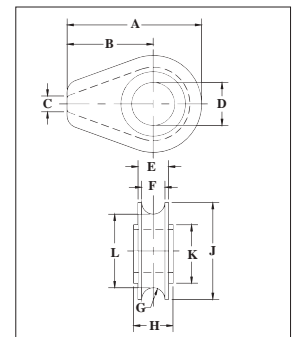
Open Pattern Thimbles

Rope Diameter		Stock No	Weight Per 100 (kg)	Dimensions (mm)					
(in)	(mm)			A	B	C	D	E	F
1/4	6-7	1037531	1.36	7.10	17.5	26.9	35.8	51.5	9.65
5/16	8	1037559	1.72	8.65	20.6	31.8	38.9	55.0	12.7
3/8	9-10	1037577	3.18	11.2	23.9	37.3	43.7	62.5	15.7
1/2	11-13	1037595	5.67	13.5	28.4	44.5	37.3	72.0	19.1
5/8	16	1037611	11.3	16.8	35.1	60.5	59.5	91.0	25.4

S-412



- Cast ductile iron.
- Fits pin for open wire rope socket, boom pendant clevis, and wedge socket.



Solid Wire Rope Thimbles

Rope Diameter		Stock No	Weight Per 100 (kg)	Dimensions (mm)										
(in)	(mm)			A	B	C	D	E	F	G	H	J	K	L
1/2	13	1037121	.28	71.5	44.5	6.35	26.9	19.1	14.2	7.10	22.4	54.0	41.4	39.6
5/8	16	1037149	1.00	119	76.0	9.65	33.3	26.9	20.6	10.4	28.7	86.0	57.0	65.0
3/4	18-20	1037167	1.05	119	76.0	9.65	38.1	26.9	20.6	10.4	35.1	86.0	57.0	65.0
7/8	22	1037185	2.47	154	97.0	12.7	44.5	35.1	26.9	13.5	41.4	114	82.5	87.5
1	24-26	1037201	2.38	154	97.0	12.7	54.0	35.1	26.9	13.5	46.0	114	82.5	87.5
1-1/8	28-30	1037229	4.21	184	116	16.0	60.5	44.5	33.3	16.8	52.5	137	98.5	103
1-1/4 - 1-3/8	32-35	1037247	4.45	184	116	16.0	67.0	49.3	38.9	19.8	58.5	137	98.5	105

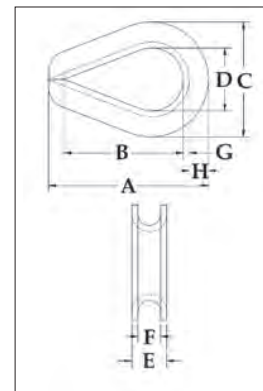


WIRE ROPE END FITTINGS

G-414



- Available in hot-dip galvanized or stainless steel (Type 304).
- Stainless steel recommended for more corrosive environments where greater protection is required.
- Greater protection against wear and deformation of the wire rope eye.
- Longer service life.
- Meets the performance requirements of Federal Specification FF-T-276b Type III, except for those provisions required of the contractor.
- Meets the performance requirements of EN13411-1:2002.



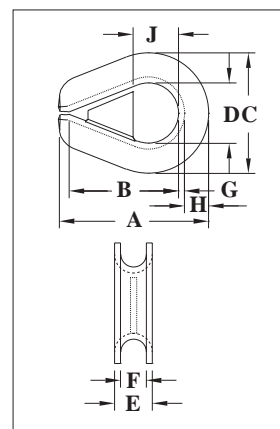
**Extra Heavy Wire Rope Thimbles**

Rope Diameter		Stock No.		Weight Per 100 (kg)	Dimensions (mm)							
(in)	(mm)	G-414 Stock No	SS-414 Stainless		A	B	C	D	E	F	G	H
1/4	6-7	1037639	1037960	2.95	55.5	41.4	38.1	22.4	11.2	7.10	1.50	5.85
5/16	8	1037657	1037988	5.35	63.5	47.8	46.0	26.9	14.0	8.65	2.05	7.10
3/8	9-10	1037675	1038004	9.80	73.0	54.0	54.0	28.7	16.8	10.4	2.80	8.65
7/16	11-12	1037693	-	15.7	82.5	60.5	60.5	31.8	18.8	11.9	3.30	9.65
1/2 - 9/16	13-15	1037719	1038022	23.1	92.0	70.0	70.0	38.1	23.4	13.5	3.55	10.4
5/8	16	1037755	1038040	34.3	108	82.5	79.5	44.5	26.2	16.8	4.05	12.7
3/4	18-20	1037773	1038068	72	127	95.5	96.5	51.0	33.0	19.8	5.60	16.8
7/8	22	1037791	-	81	140	108	108	57.0	37.3	23.9	5.60	19.1
1	24-26	1037817	-	142	156	114	125	63.5	44.5	26.9	6.35	22.4
1-1/8 - 1-1/4	28-32	1037835	-	181	178	130	149	73.0	47.8	33.3	6.35	28.7
1-1/4 - 1-3/8	32-35	1037853	-	402	230	165	173	89.0	57.2	36.6	9.65	28.7
1-3/8 - 1-1/2	35-38	1037871	-	587	229	159	181	89.0	66.5	39.6	12.7	28.7
1-5/8	40	1037899	-	771	286	203	207	102	76.2	43.7	12.7	35.1
1-3/4	44	1037915	-	805	310	229	216	114	77.7	46.7	12.7	33.3
1-7/8 - 2	48-52	1037933	-	1259	384	305	264	152	85.9	53.0	12.7	38.1
2-1/4	56	1037951	-	1792	435	356	302	178	98.6	60.5	16.0	41.4

G-414 SL



- Prevents the shackle from being removed and replaced in the field, which could compromise the certified integrity of the sling assembly.
- Available in hot-dip galvanized. Crosby's shackle locking thimbles are galvanized after the welding of the wedge has been completed.
- Greater protection against wear and deformation of the wire rope eye.
- Longer service life.
- Meets the performance requirements of Federal Specification FF-T-276b Type III, except for those provisions required of the contractor.
- Meets the performance requirements of EN13411-1:2002



**Extra Heavy Wire Rope Thimbles (Shackle-Loc)**

Rope Diameter		Stock No	Weight Per 100 (kg)	Dimensions (mm)								
(in)	(mm)			A	B	C	D	E	F	G	H	J
3/8	9-10	1036800	9.80	73.0	54.0	54.0	28.7	16.8	10.4	2.80	8.65	20.5
1/2 - 9/16	13-15	1036808	23.1	92.0	70.0	70.0	38.1	23.4	13.5	3.55	10.4	28.4
5/8	16	1036817	34.3	108	82.5	79.5	44.5	26.2	16.8	4.05	12.7	31.7
3/4	18-20	1036826	72	127	95.5	96.5	51.0	33.0	19.8	5.60	16.8	38.1
7/8	22	1036835	81	140	108	108	57.0	37.3	23.9	5.60	19.1	41.4
1	24-26	1036844	142	156	114	125	63.5	44.5	26.9	6.35	22.4	47.7
1-1/8 - 1-1/4	28-32	1036853	181	178	130	149	73.0	47.8	33.3	6.35	28.7	54.1
1-3/8 - 1-1/2	35-38	1036862	587	229	159	181	89.0	66.5	39.6	12.7	28.7	63.5